

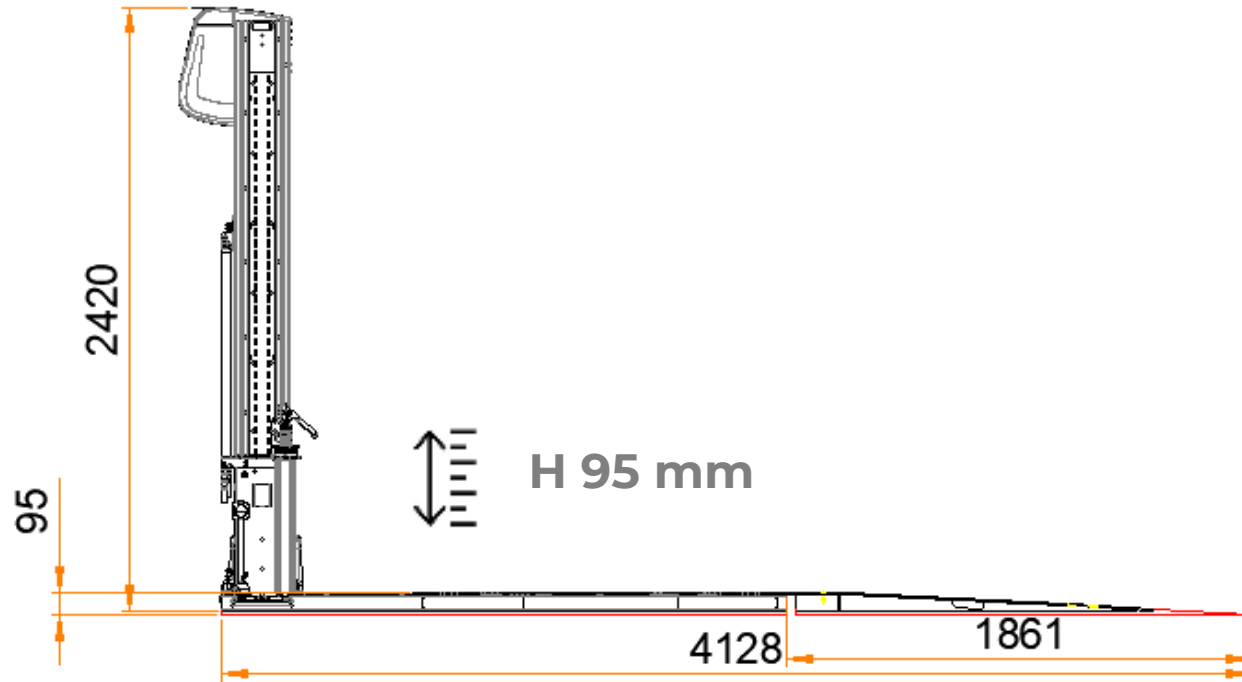


# **W8 WRAP**

## **Low profile weigh scale**

**FOR ONEWRAP – ONEWRAP PLUS – PROWRAP  
SEMI-AUTOMATIC STRETCH WRAPPERS**

## Main features



- LOW profile design, total height 95 mm
- Can be perfectly integrated into OneWrap-OneWrap Plus and ProWrap turntable

## Main features



- 6 load cells with 6 support feet positioned on the frame, allowing the product to be weighed uniformly.
- Independent weigh indicator with bracket mounted on machine mast
- Maximum allowed weight 2.400 kg

### ADD ON KIT codes:

OneWrap 1500	SBA0029831
OneWrap 1650	SBA0029832
OneWrap Plus 1650	SBA0029835
ProWrap 1650	SBA0029835

## Weigh indicator

- Weight Indicator, six-key membrane keyboard, IP67 protection rating
- Six-digit backlit LCD display, 20 mm height.
- RS232 and RS485 ports (Modbus RTU/Laumas ASCII protocol)
- 3 logic inputs, 5 relay outputs
- The system may be connected via a serial cable RS 232 to a computer to record the values.

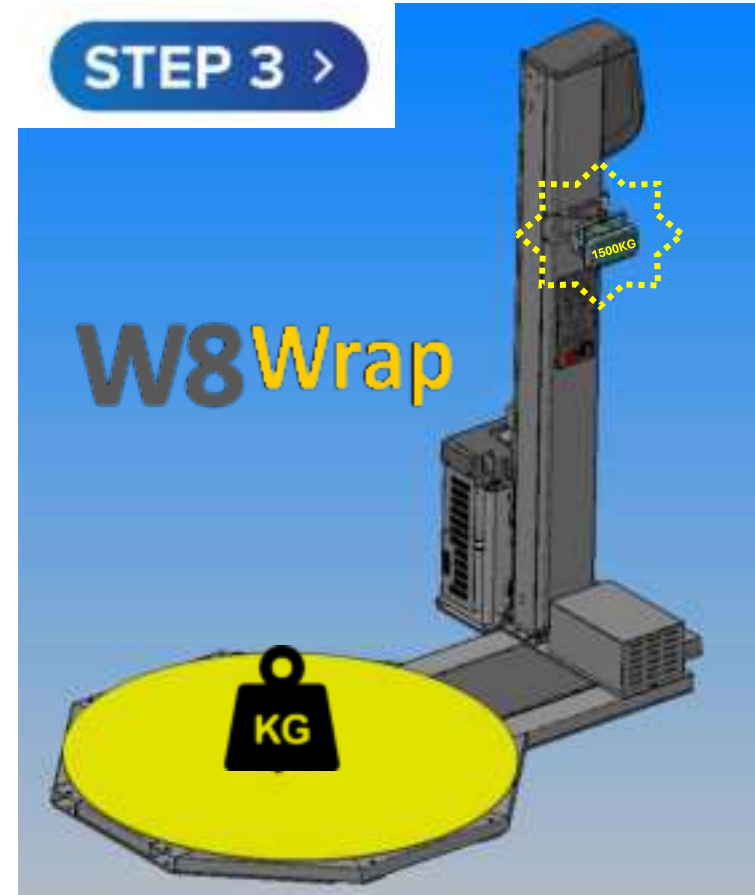
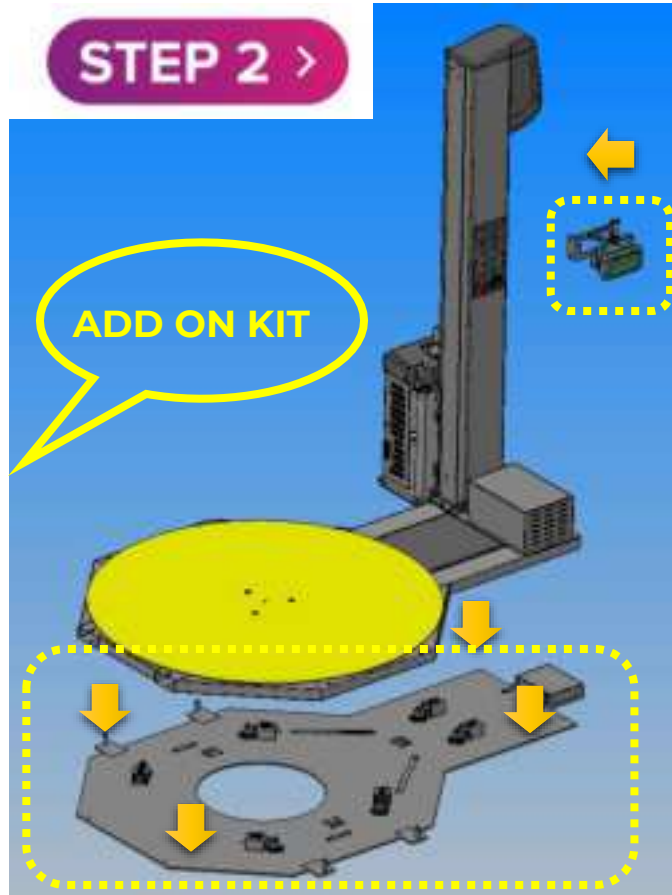
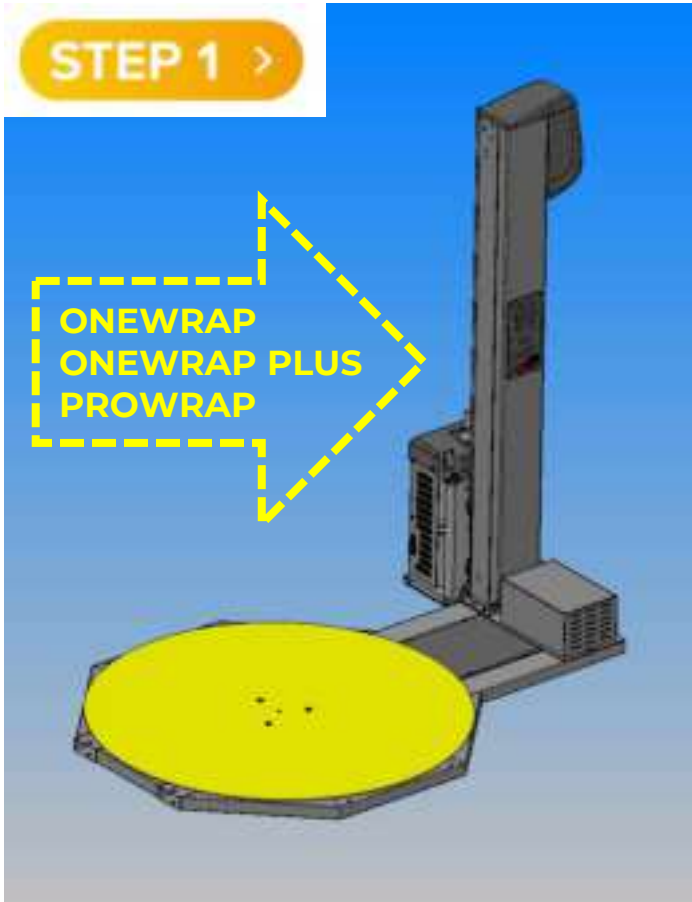


## Printer

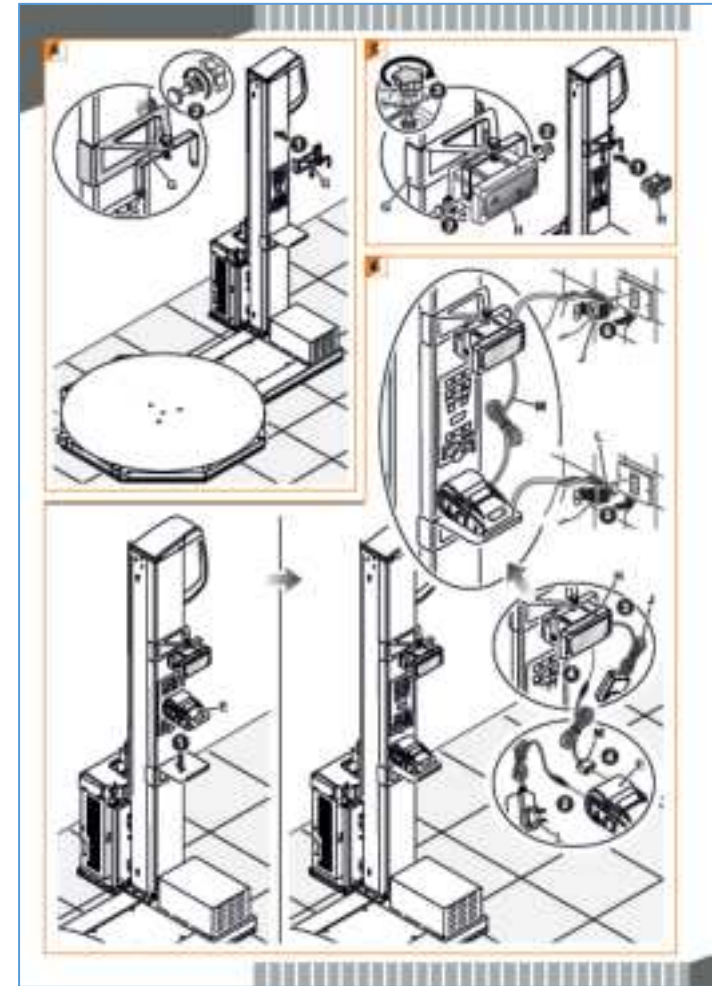
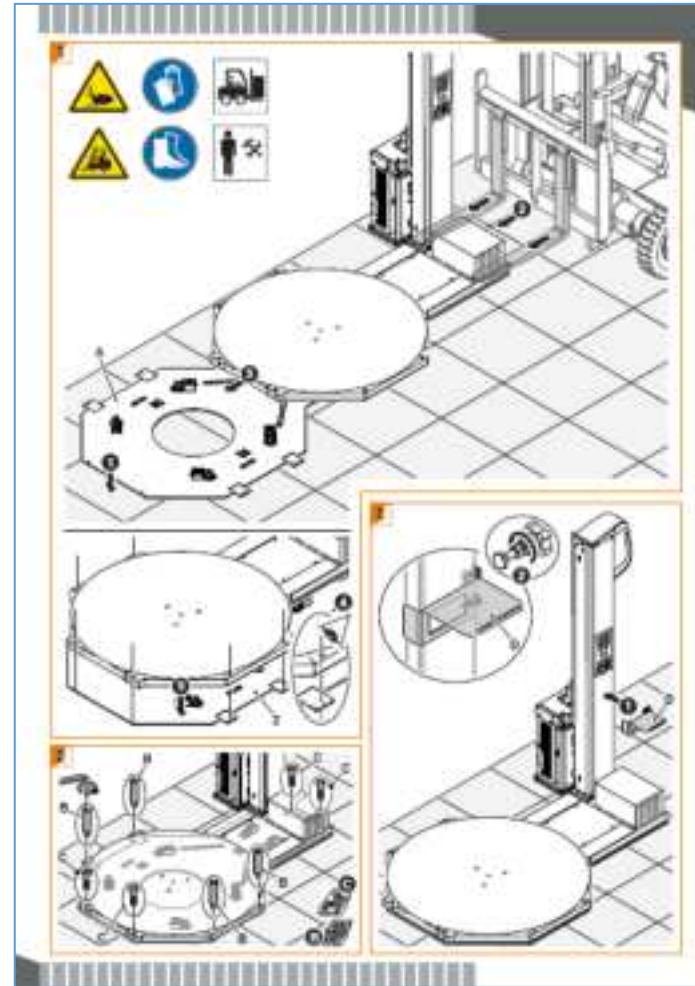
- POS thermal printer, 32 column
- Barcode printing in CODE39 format
- Clock/calendar
- The printer can store an image to use for customizing receipts (software included)
- Paper end sensor, possibility to print on thermal paper roll or adhesive thermal paper roll
- Includes POS printer, RS232 cable, programming cable, 110/240 VCA power supply, CD-ROM.



# Easy installation



# Visual installation manual



THANK  
YOU!

