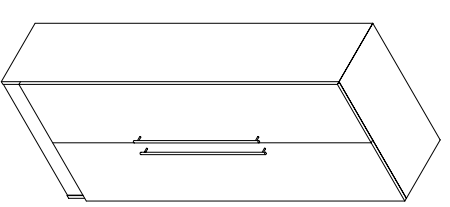
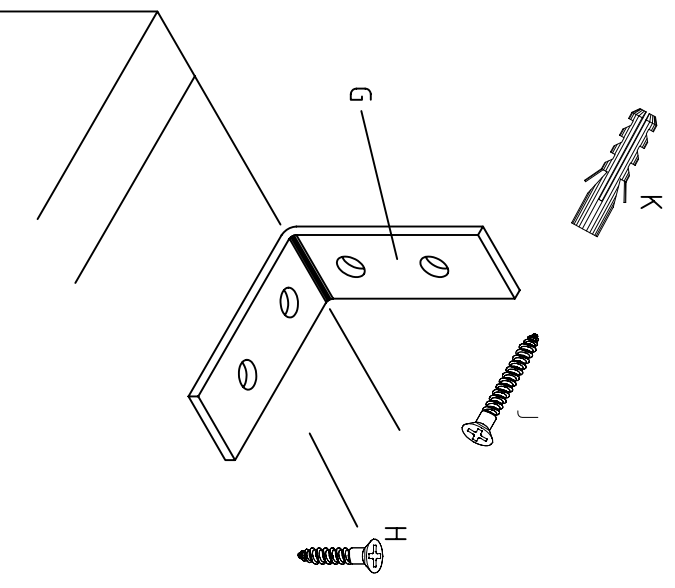
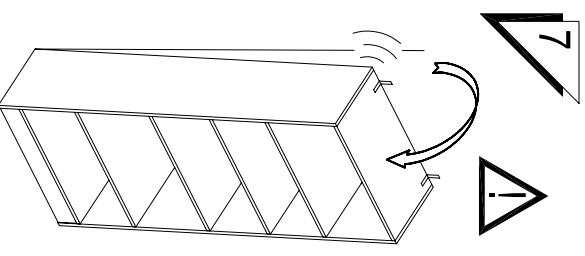
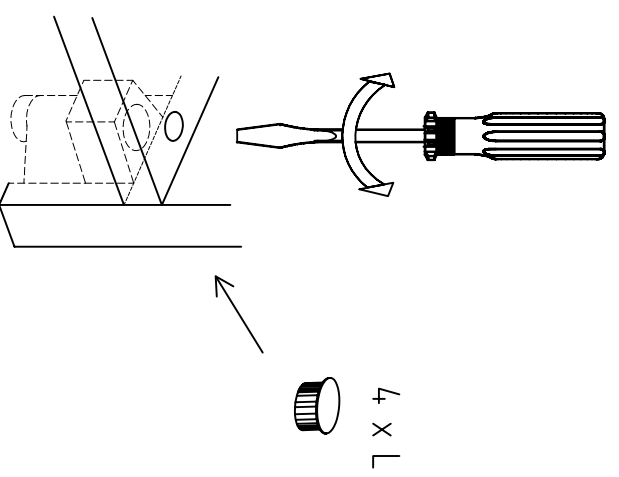
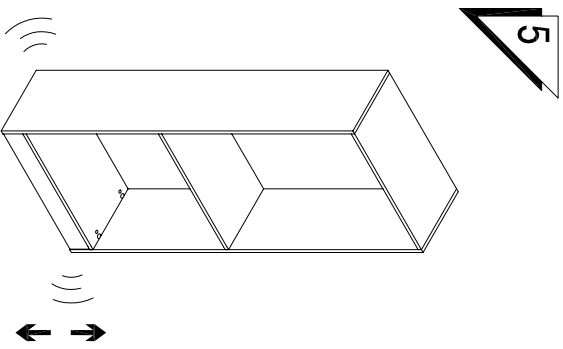


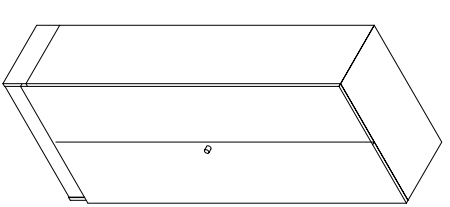
Montageanleitung :

Korpus - Regalserie M6.../M7.../M8...

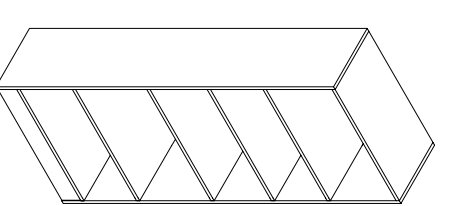
Assembly instruction : corpus - shelves M6.../M7.../M8... series



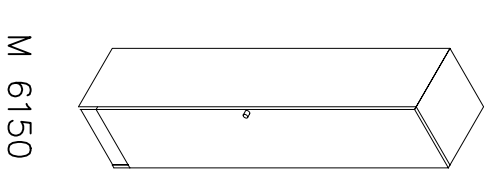
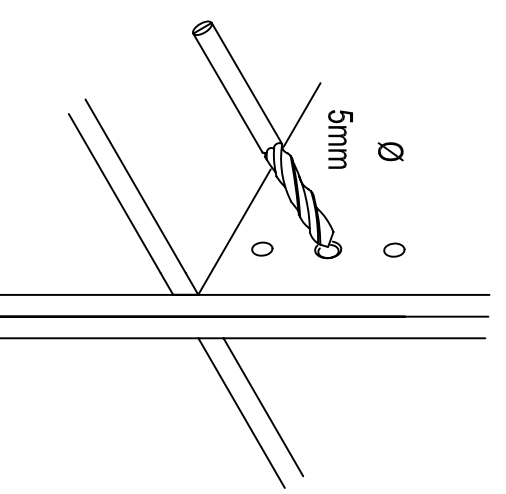
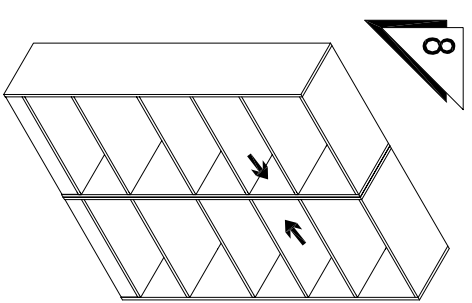
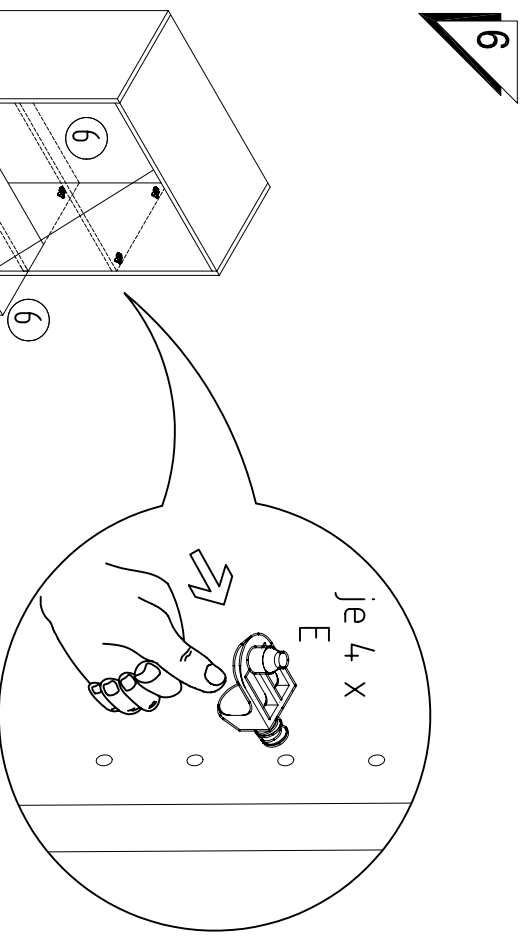
M 7100



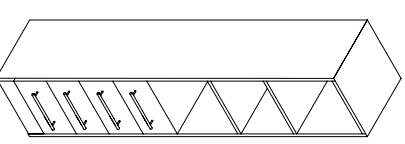
M 6100
(M 8100)



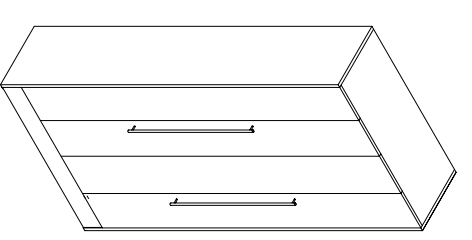
M 6000



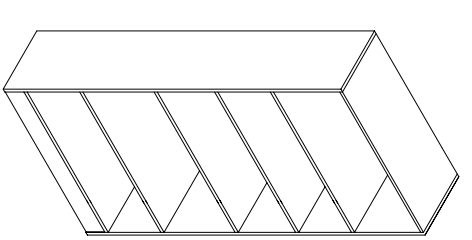
M 6150



M 7600
(M 8600)



M 7400
(M 6900)
(M 8900)



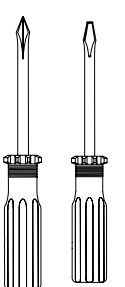
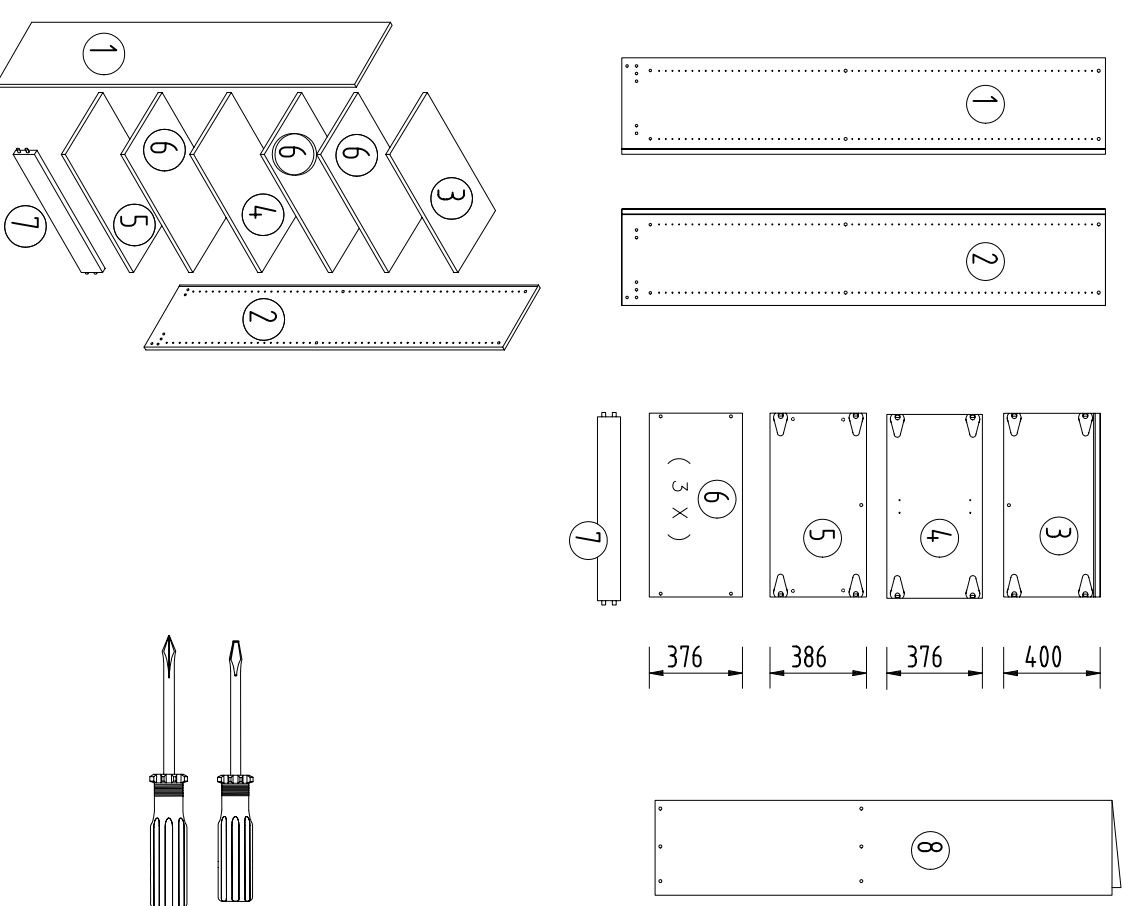
M 6400

Beschlagbeutel 1 : / fittings 1

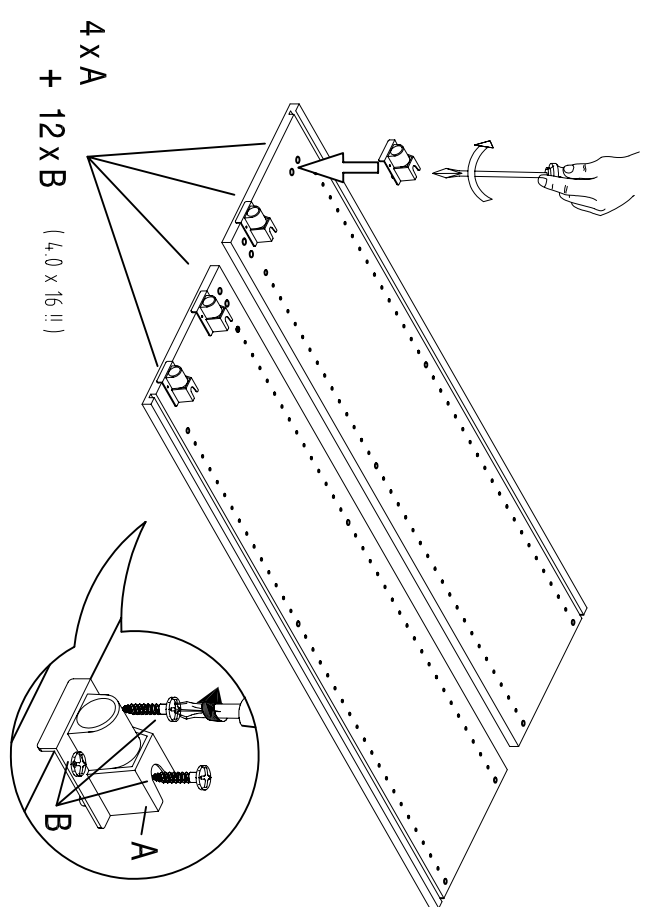
4 x A	12 x B (4,0 x 16 mm)	12 x C	12 x D (3,5 x 25 mm)	12 x E
-------	-------------------------	--------	-------------------------	--------

Beschlagbeutel 2 : / fittings 2

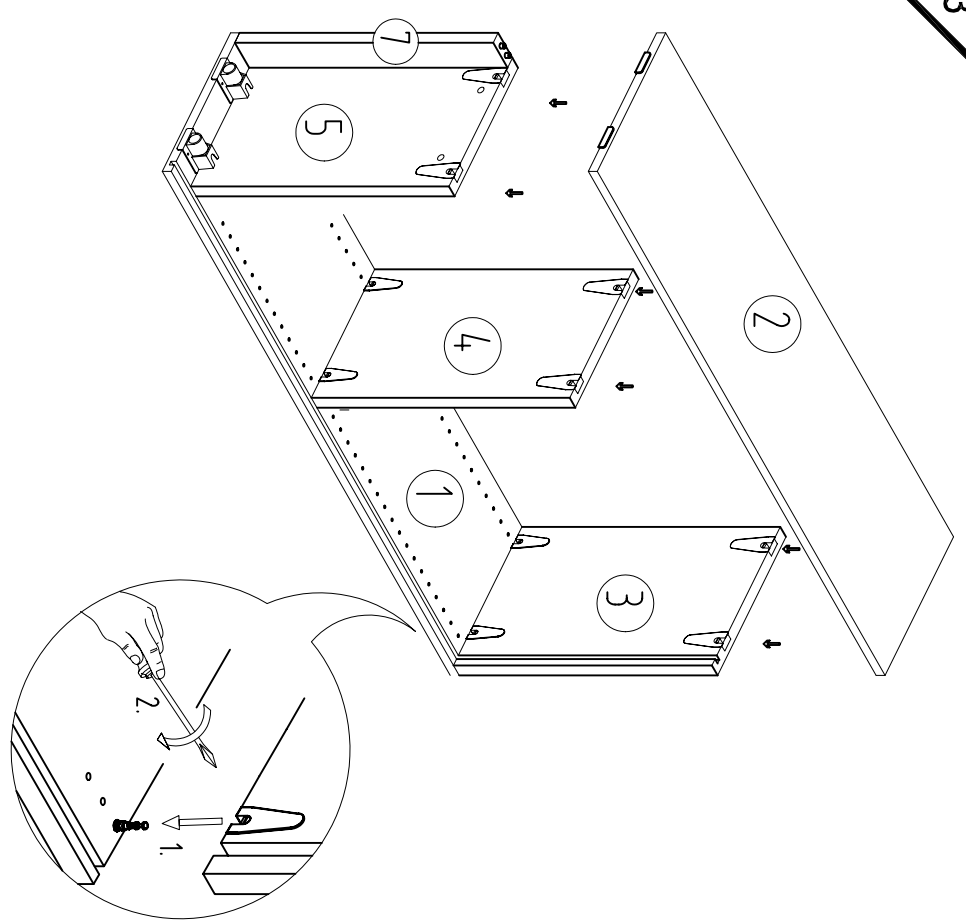
4 x F	2 x G	2 x H (3,5 x 20 mm)	2 x J
2 x K (4,5 x 4,0 mm)	4 x L	2 x M	



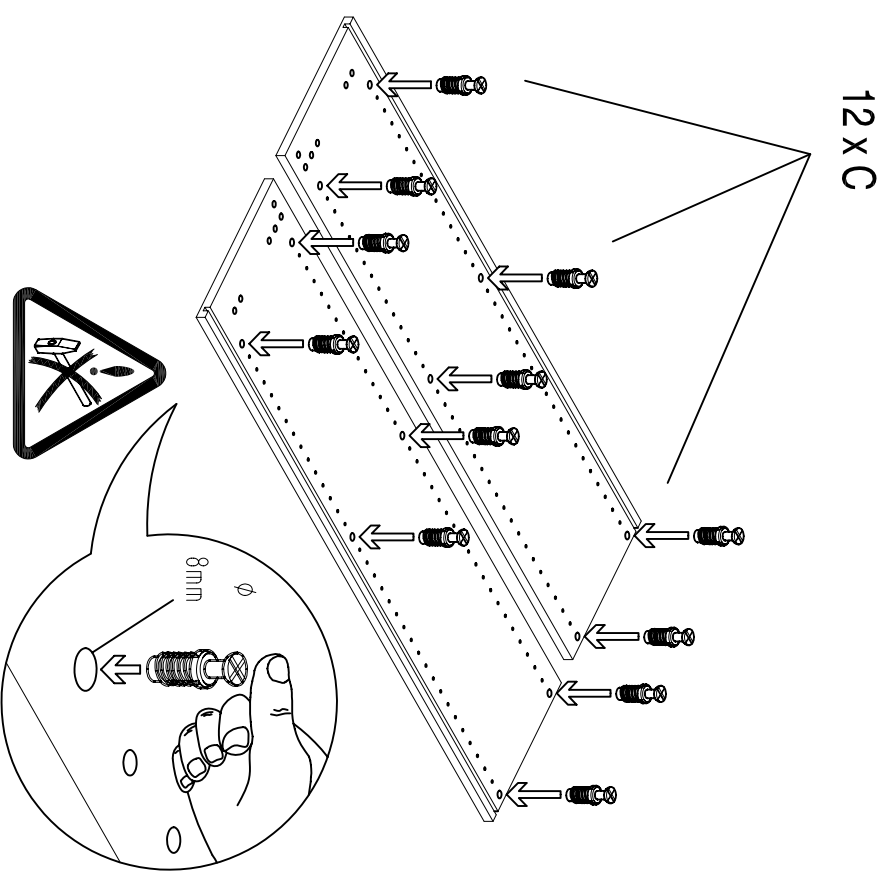
1



3



2



4

