

# Product Sheet



Item No.

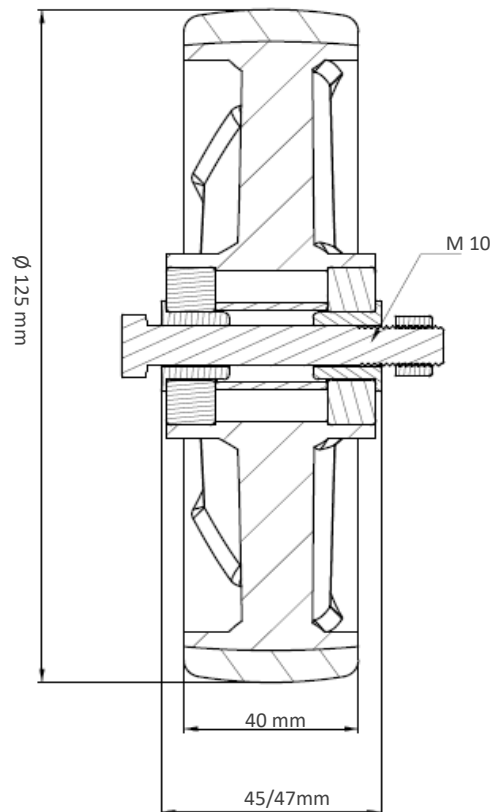
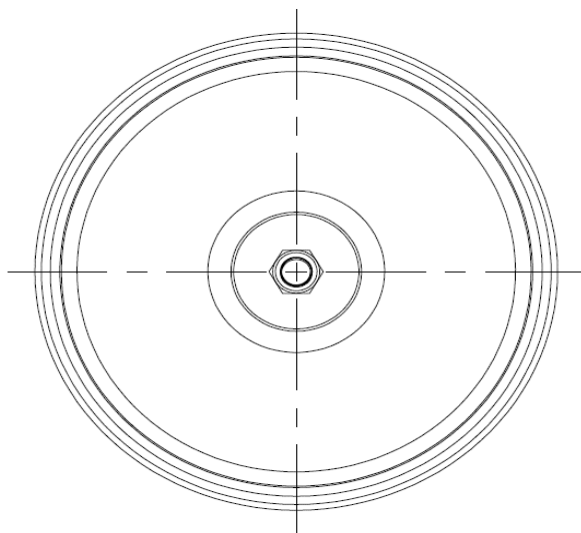
125 D A U 5 D 0 N

## housing / data

housing type  
series  
fixing type  
hole dimensions / hub width  
thickness of fixing / fork  
surface treatment

## wheel / data

diameter	125mm
wheel center	Aluminium
wheel tread	Polyurethane brown
bearing	double ball bearing
threadguard	no separate threadguard
hub width	45/47mm
axle diameter	M 10
temperature range	-20°C - +60°C
dyn. load capacity	350 Kg
Test norm	DIN EN 12533



**Deviation possible! All information is subject to change.**