

# Product Sheet



Item No.

080 R 4 E 1 B 3 4

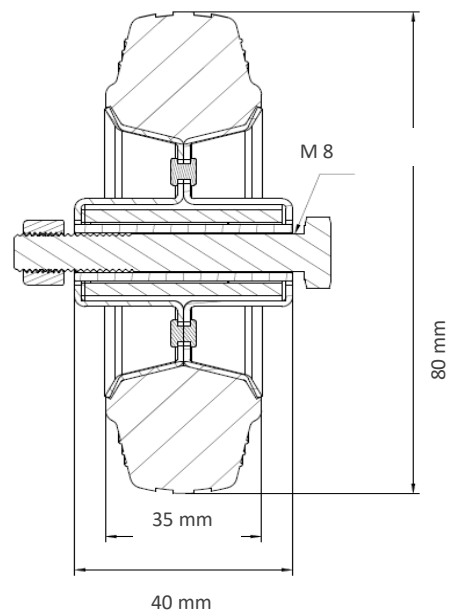
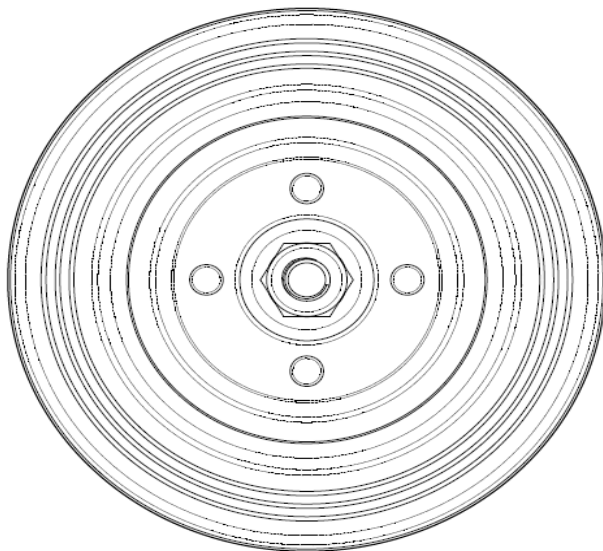
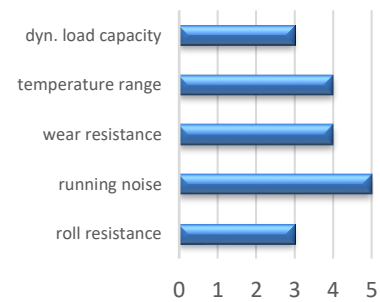
## housing / data

housing type  
series  
fixing type  
hole dimensions / hub width  
thickness of fixing / fork  
surface treatment



## wheel / data

diameter	80 mm
wheel center	Polyamide black
wheel tread	Elastic 65 Shore A blue
bearing	Ball bearing
threadguard	small plastic threadguard
hub width	40 mm
axle diameter	M 8
temperature range	-20°C - +80°C
dyn. load capacity	150 kg
test norm	DIN EN 12532



Deviation possible! All information is subject to change.